

# WHEELED FORESTRY TRACTOR



*Made in Slovakia*



# EQUUS

*Your Partner for the Forest*

[www.equuseu.com](http://www.equuseu.com)

# EQUUS

*Your Partner for the Forest*

## About us

In the beginning, there was the idea of producing special forestry tractors that occurred to us after more than 12 years of operation of forestry machinery repair service. It was a response to requirements of customers who demanded a forestry tractor with long service life, easy maintenance, parameters comparable to world-class machines and affordable price. We were fully successful in achieving this goal and that is how the EQUUS 175N wheeled forestry tractor was developed.

The first prototypes of tractors were manufactured in 2014 and 2015. One year later, more than 30 tractors were produced and sold. At present, we commence a serial production of 3–4 tractors per month.

Our satisfied customers operate our tractors in Slovakia as well as in Czechia, Hungary, Poland, and Slovenia, other tractors will be delivered to Germany, France and Belgium. New dealerships will be soon opened in Romania and Bulgaria, where we already have our first clients.

Our company started with four employees. At present, we employ more than 20 employees of different professions.

As one of few companies, we use the highest share of our own components in the machine (frames, cabin, reel and hydraulic arm), which allows us not only to control the quality parameters throughout the production process, but also to flexibly respond to new market demands, to develop and implement own innovative solutions and, last but not least, to maintain an affordable price for the final product.

We are proud that our machines can be labelled "Made in Slovakia".



# EQUUS Wheeled Forestry Tractor

*Reliable, simple, affordable*

## EQUUS 175N



EQUUS 175N wheeled forestry tractor is characterized mainly by its robustness, economy and reliability. This easy-to-use forestry tractor has no unnecessary electronic components and complies with the current demanding criteria. It is equipped with the state-of-the-art hydrostat and its perfectly designed cooling combines a high-performance forestry machinery with the ability to travel on roads on its own at the speed of 40 km/h to the distance of at least 100 km! The lowest centre of gravity in its class makes this machine a perfect choice for work in the most demanding terrain. We are among the first manufacturers who use the state-of-the-art STAGE IV class combustion engines. We have increased the transmission efficiency and improved the logic of the entire tractor, resulting in an overall savings of 20–30 % of fuel per 1 cubic meter. This means not only fuel savings and a reduction in emissions, but also a longer service life, better price/performance ratio, higher profit per 1 cubic meter and therefore the highest added value for the user. Do you need a tractor that can handle, cut and transport wood in bulk and in short periods of time? Choose from a range of technical designs (standard, hydraulic arm, grapple, grapple with saw, harvester, output shaft, PTO...), and your dream tractor is here!



## Engine

*Amongst the pioneers in the STAGE IV emission class*



As one of the first forestry tractor manufacturers, EQUUS has installed the most advanced IVECO N45 ENT engine that meets the requirements of the most demanding STAGE IV emission class.

With the power of 170 hp and the torque of 710 Nm, this direct-injection 4-cylinder engine delivers a performance comparable to larger and more expensive 6-cylinder engines, while being lighter, safer and more environmentally friendly.

## EQUUS Transmission

*Unique solution with hydrostatic transmission*



We have used a hydraulic-motor concept with enlarged volume of 300 ccm and 45° swinging plate. The higher volume of the hydraulic motor decreases its maximum speed, the swinging plate increases its effectiveness. The 1st gear is suitable for the speed of 0–18 km/h and for dragging at optimum engine speed, which is the most important contribution to transmission efficiency. The 2nd gear allows the tractor to travel easily over long distances without stopping at the speed of up to 40 km/h.



## EQUUS Cabin

*Guaranteeing the highest safety and quality*



The cabin, which is an in-house production by EQUUS, offers the highest safety parameters. Not only does it meet the basic limits of the OPS, FOPS and ROPS standards, it even exceeds them. The cabin's position is as low as possible. It thus offers the most convenient way to get in and out of the cabin. The cabin is fitted with two doors, it is equipped with a 270° rotating workstation and LEXAN safety glass. The rear view is improved – there is a new glass panel in the roof of the cabin for better view.

## EQUUS Hydraulic Arm

*Robust and strong design*



EEQUUS produces own hydraulic arms that can be folded below the cabin level for more convenient road travel and/or for truck transportation. Its robust two-part structure with the net lifting power up to 120 kN and the technical design allows not only to easily handle but also to drag the wood. Three different versions make it possible to choose the most suitable arm for any specific working conditions.



## EQUUS Reel

*Power and long service life*



Thanks to many years of development, EQUUS has built a new type of reel with a drum capacity of up to 200 m of rope with the diameter of 13 mm and a pulling force of up to 16 t. The reel has a spur gear ensuring a long service life and easy servicing. Optionally, it can have 2 speeds: 1.35 m/s and 0.65 m/s with a pulling force ranging from 8 t to 16 t.

## Frames and Axles

*High reserve strength*



The frames are completely welded from the S690 high-strength sheets, which contribute to the high rigidity and long service life of the machine. The axles manufactured by NAF with the parameters of 17 t / 4200 Nm are used as standard in higher-class tractors. Intentional over-dimensioning of this key component provides our tractor with a substantial reserve in durability and loadability even under the toughest operating conditions.



## Compact Dimensions

*Easily transportable by a truck*



Depending on the tyres used, the tractor's height ranges from 2.82 m to 2.88 m and its width starts from 2.42 m. Even with the 23.1-26 tyres (width of 600 mm), the overall width is under 2.45 m, as required for a trouble-free transport by standard trucks. Indeed, the possibility of such transport significantly saves both time and money. This feature, along with the ability to travel more than 100 km at once on its own, belongs among the top competitive advantages of EQUUS tractors.

## Performance and Power

*Middle class with higher-class performance*



By its weight and dimensions, EQUUS 175N fits into the middle-class segment, but its power and pulling force complies with the parameters of a higher class, i.e. 6-cylinder machines. The 17 t / 4200 Nm axles, the higher-class timing case and cardans, wheelbase, low centre of gravity, the state-of-the-art engine combined with our own unique technical solutions enable us to achieve the performance and pulling force of higher-class machines, but for much lower price.



# Technical Designs

## EQUUS 175N Basic



The basic version of the EQUUS 175N forestry tractor features a front blade, rear shield and reel. It is the ideal choice for users who are accustomed to the classic manner of working and are comfortable with working only with a reel and a blade. The hydraulic arm can be also installed as an option. The weight of the tractor starts from 8500 kg.

## EQUUS 175N Universal



The Basic version + the EQUUS 120 hydraulic arm with the grapple (size 0.35 as standard) and the clambunk with automatic clamping. The grapple may also be in the version with a saw. Hydraulic arms are available in the following lengths: 6.1 m, 7.5 m (double telescope). This is the best-selling version suitable for the majority of ordinary tasks where a high performance is required for a short time.

## EQUUS 175 N HARVESTER

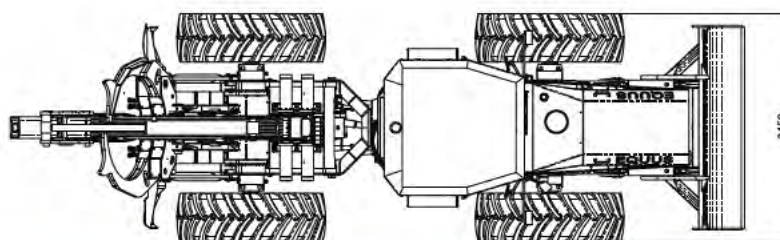
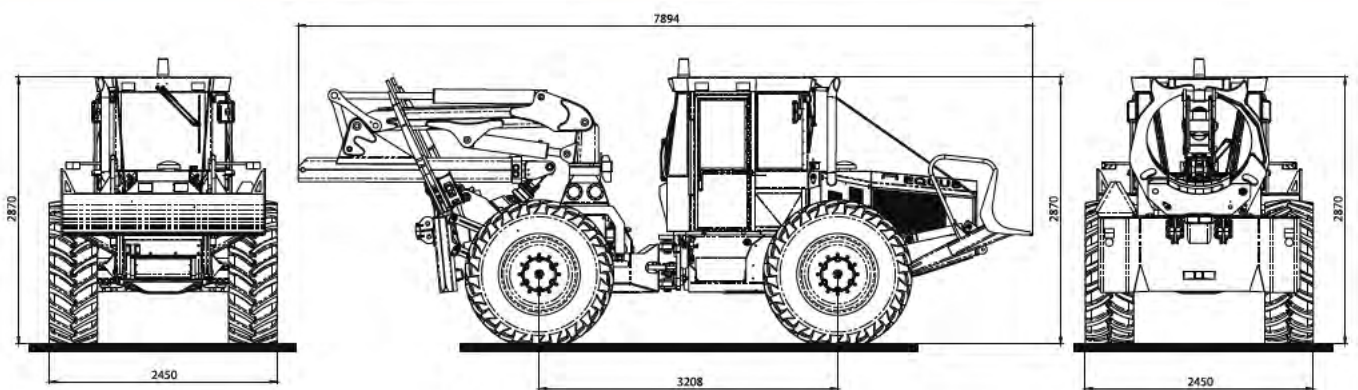
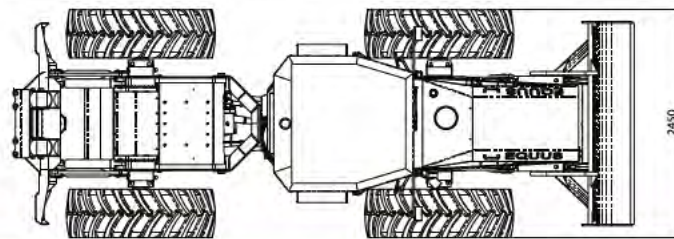
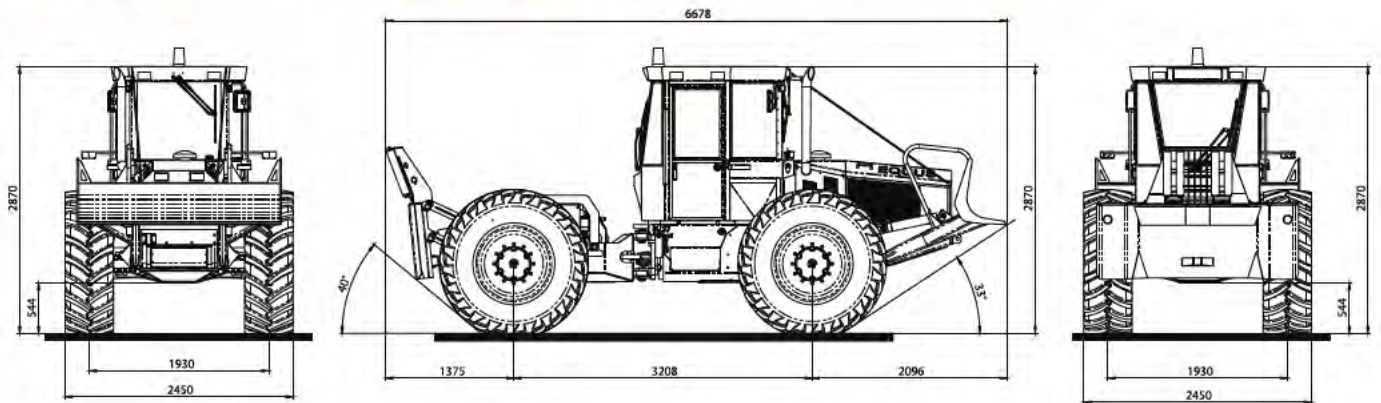


The Basic version + the EQUUS 120 hydraulic arm with the harvester head. Hydraulic arms are available in the following lengths: 6.1m, 7.5m (double telescope) and 9.5m (double telescope). This version is suitable for harvesting or finishing works after harvesting of wood. The weight of the tractor starts from c. 13 tonnes (depending on the head type and equipment).





# EQUUS 175N: Dimensions



# EQUUS

Your Partner for the Forest

<b>Engine</b>		<b>Axles</b>	
Type	IVECO N45 ENT	Type	NAF STT
Power	125kW@2200rpm - 710Nm@1500rpm <b>Stage IV / TIER 4F</b> The highest environmental standard with a certificate from the manufacturer for engine installations	Type	Fixed axle with wet multi-plate brakes and handbrake for all 4 wheels and 100% differential lock. Large 17t axles designed for 6-cylinder machines of a higher class
Type	Diesel, four-stroke engine, with electronic fuel injection (Electronic Common Rail)	<b>Rám</b>	
Number of cylinders	4	Material and design	S690QL – high-strength steel Front and rear: box-type welded frame
Displacement	4.5 l	Frame concept	When using the 23.1-26 tyres (width of 600 mm), the wheel gauge is 2450 mm, which allows for easy loading and transport by a common truck
Fuel filtering	Water separator, fuel filter	<b>Working hydraulics</b>	
Lubrication	Pressurized, with a wet sump and oil filter	Working pump	100 ccm (220l@2200), or optionally 130 ccm (286l@2200) 147 ccm (323l@2200)
Cooling	Fluid circulation using water pump, thermoregulating valve	Pressure	Maximum pressure of 220 bar for all hydraulic equipment incl. arm (except for PTO and other non-standard equipment)
Position	Connected to hydrogenerators	Oil capacity	Tank of 110 l + components
Control	Pedal with potentiometer	<b>Cabin</b>	
<b>Hydrostat</b>		Features	Safety cabin (FOPS, ROPS, OPS) – LEXAN Margard safety glass, two-door tilting cabin with a suspension, optionally rotating workstation (rotating seat to the extent of 270°). It complies with the strictest safety standards requiring the resistance to roll-over and breakage.
Transmission	Hydrostatic transmission with 3 modes and 2 mechanical transmissions (turtle/rabbit) in a timing case, maximum speed of 40 km/h forwards and backwards, with the option of disengaging the rear axle 4x4 / 4x2	Equipment	Steering/control – steering wheel+joysticks, radio+MP3, 24V electrics, optionally A/C, 8 LED working lights, heating, sunshades
Features	Low-speed and low-pressure hydrostat; by increasing the volume, we have achieved a high efficiency. It allows travelling on road without overheating at speeds of up to 40 km/h. It behaves like a gearbox – does not slow down under load!	<b>Hydraulic arm</b>	
Speeds	<i>I – turtle 0–18 km/h This speed allows keeping the engine in the maximum efficiency and power range when dragging wood, resulting in lower fuel consumption and longer service life.</i> <i>II – rabbit 0–40 km/h</i> <i>III – ECO mode At 1800 rpm, it allows you to travel on roads at the speed of 40 km/h forwards/backwards</i>	Features	Two-part system: main arm with the lifting power of 120 kN net, cranked arm with 100 kN net. It can be folded horizontally, allowing for an easy transport using a common truck. The robust construction allows for trouble-free handling/dragging of wood.

# EQUUS Wheeled Forestry Tractor

## Technical data

<b>Hydraulic arm</b>		<b>Reel</b>	
<b>Types</b>	<p>EQUUS 120 – arm length 6.1m; one telescope + switchboards with two joysticks</p> <p>EQUUS 120 – arm length 7.5m; double telescope+switchboards with two joysticks</p> <p>EQUUS 120 – arm length 9.5m; double telescope+switchboards with two joysticks</p>	<b>Features</b>	EQUUS – in-house production, standard pulling force 2x13 t, 2 speeds (option) 1.35 m/s and 0.65 m/s, rope length 100–200m, Ø13mm
<b>Equipment</b>	<p>Rotator: Indexator/Baltrotor</p> <p>Link: Indexator/Baltrotor</p> <p>Grapple: Gripen 035 /Hultdins Supergrip 360</p> <p>Grapple with saw (option): Gripen X3M/Hultdins Supersaw 550; Gierkink GMT</p> <p>Harvester head (option): SP Maskiner SP461/SP561</p> <p>RQuick-coupling systems for grapples, dippersand other equipment (Kranfix, Arden)</p>	<b>Alternativa</b>	from 8 to 16 tonnes
<b>Front blade</b>		<b>Tyres</b>	
<b>Features</b>	High-strength steel, 2200 mm width, it does not extend beyond the tractor width, features storage space (built-in box) for tools	<b>Standard</b>	540/70-30; 23,1-26 (option)
<b>Accessories</b>	Hydraulic-operated fixing and handling teeth	<b>Option</b>	18,4-30 (option)
<b>Rear shield</b>		<b>Weight</b>	
<b>Features</b>	High-strength steel, 2200 mm width, it does not extend beyond the tractor width, with rope pulleys	<b>Standard production</b>	8,500 kg (the Basic version – front blade, rear shield, and reel)
<b>Alternate Option</b>	The French shield version and/or the version with height-adjustable rollers	<b>With equipment</b>	12,000 kg or more, depending on the equipment
		<b>Accessories</b>	<ul style="list-style-type: none"> <li>Clambunk</li> <li>Frame lock</li> <li>A/C</li> <li>Remote control for the reel</li> <li>Remote control for the reel and travel</li> <li>Rotating workstation</li> <li>Working seat with compressor and heating</li> <li>LED working lights</li> <li>Towing device</li> <li>External hydraulic outlet</li> <li>Imobilizer</li> <li>Rear-view camera</li> <li>Ropes for the reel</li> <li>Tyre chains</li> </ul>

## Service and Guarantee

The EQUUS 175N forestry tractor is reliable, simple and affordable: these are the criteria defined by us for its development. We have avoided complicated control units. Engine error readers, however, allow for accurate and fast diagnostics of the engine and hydrostat. Hydraulic cylinders are dimensionally identical, which enables their quick and inexpensive replacement on the entire tractor. The engine part, working hydraulics and all other components are mounted in the frame structure in a manner allowing a trouble-free access and quick and cheapest possible repairs.

PConditions for both warranty and post-warranty repairs are set up affordably – we provide the most optimum conditions while maintaining the highest possible warranty.

Our dedicated service team will always be glad to help you.



## **SITTRANS s.r.o.**

office:

**Eleny Maróthy-Šoltésovej 5/2073  
969 01 Banská Štiavnica**

e-mail: [info@equuseu.com](mailto:info@equuseu.com)

[www.equuseu.com](http://www.equuseu.com)